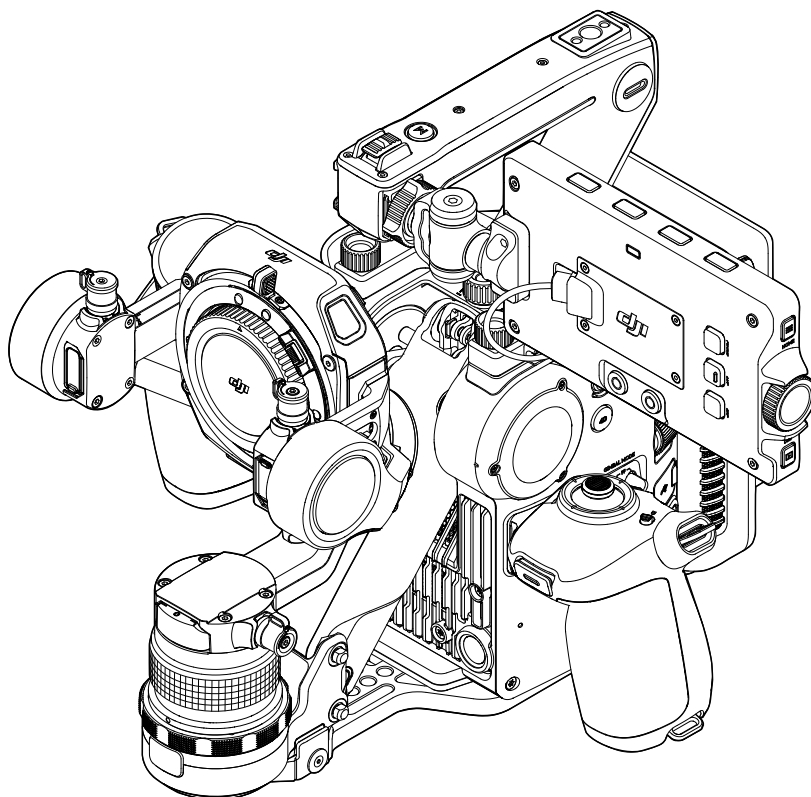


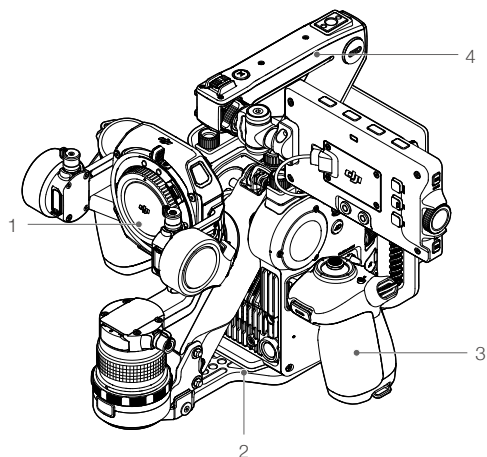
dji RONIN 4D

Quick Start Guide

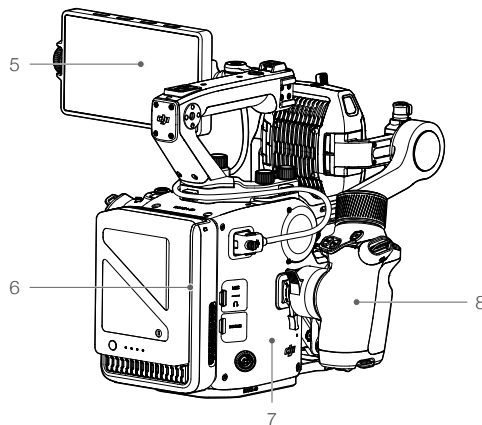
v1.0



DJI Ronin 4D Overview



1. Gimbal and Camera
2. Base Plate
3. Left Hand Grip
4. Top Handle



5. High-Bright Main Monitor
6. TB50 Intelligent Battery and Battery Compartment
7. Main Body
8. Right Hand Grip



For more information, read the DJI Ronin 4D User Manual: <https://www.dji.com/ronin-4d/downloads>

Getting Started

A. Watching the Tutorials

Scan the QR code to watch tutorials on how to get started with DJI Ronin 4D.



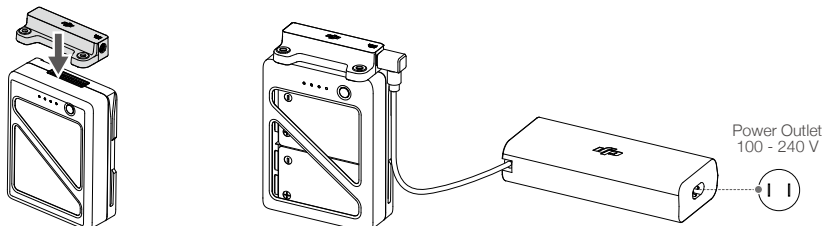
Tutorials

B. Downloading DJI Assistant 2 (Ronin Series)

Visit <http://www.dji.com/ronin-4d/downloads> to download the DJI Assistant 2 (Ronin Series) (Windows/Mac) for activating DJI Ronin 4D.

C. Charging the Battery and Checking the Battery Level

Insert the charging adapter into the battery port and charge the battery with the provided charger. It takes approximately 1.5 hours to fully charge the battery. When charging or using the battery, the battery level indicators display the battery level. Press the battery level button to check the battery level when not using the battery.

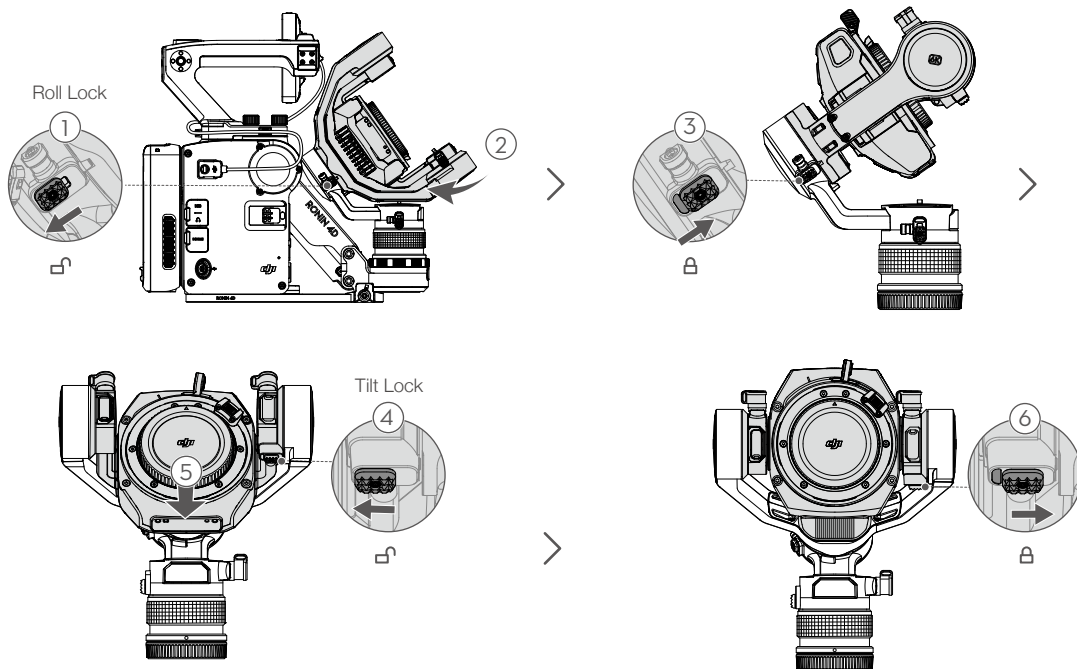


Installation

EN

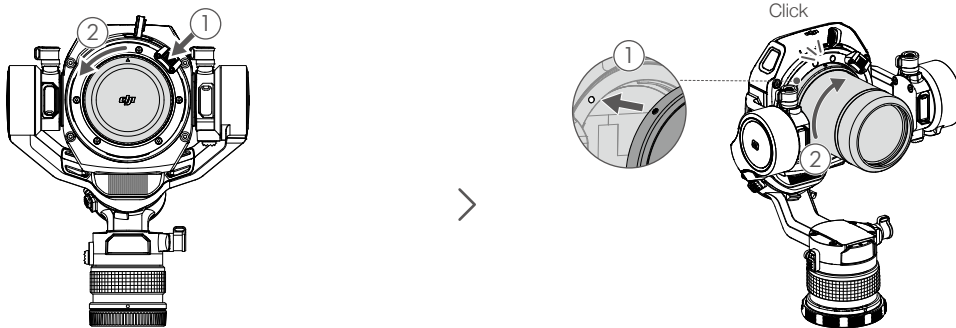
A. Mounting the Lens (Using DL Lens as an example)

1. The gimbal is folded by default. Unfold the roll and tilt axes before mounting the lens. Toggle the roll axis lock to the unlocked position, adjust the roll axis as shown, and lock the roll axis. Toggle the tilt axis lock to the unlocked position, adjust the tilt axis as shown, and lock the tilt axis.



2. Press and hold the release button and rotate the DL mount body cap counter-clockwise to remove.

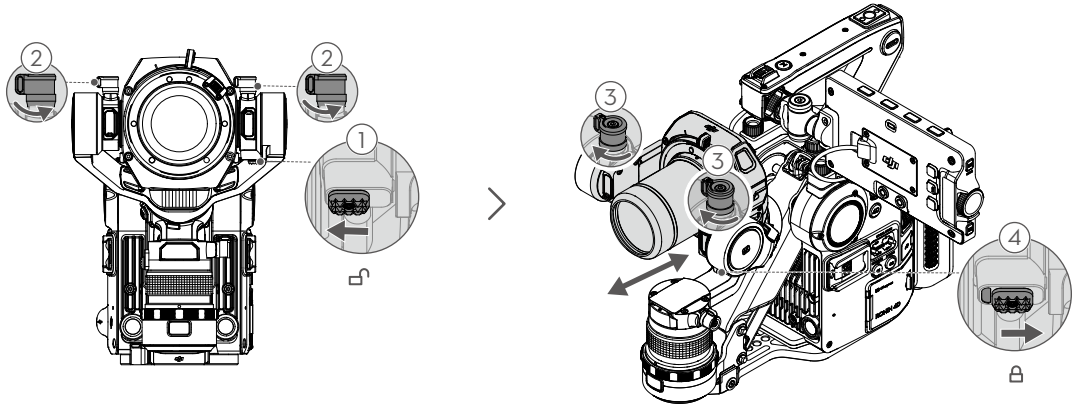
3. Align the red marks on the lens and the DL mount. Insert and rotate the lens clockwise until there is a clicking sound.



B. Balancing

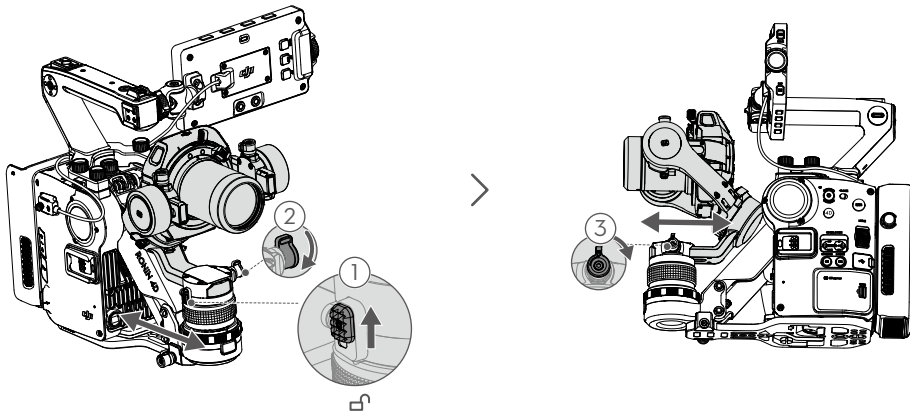
1. Balancing the Tilt Axis

- Toggle the tilt axis lock to the unlocked position ① and loosen the knobs on both sides of the tilt axis ②.
- Check to make sure the camera is not front or back-heavy. If front-heavy, move the camera backward. If back-heavy, move the camera forward.
- The tilt axis is balanced if the camera is steady while tilted forward. Tighten the knobs ③.
- Lock the tilt axis ④.



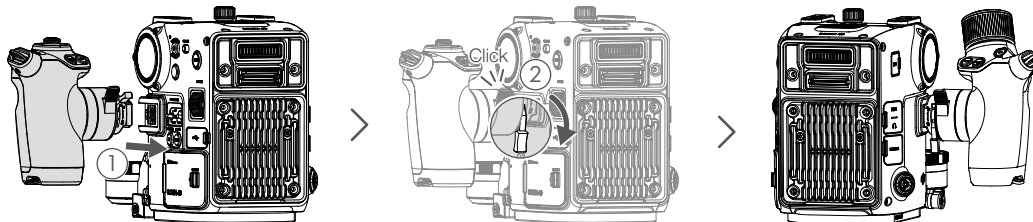
2. Balancing the Pan Axis

- Toggle the pan axis lock to the unlocked position ① and loosen the knob on the pan motor ②.
- Tilt Ronin 4D towards you while holding the top handle. Check the movement of the pan axis. If the camera lens rotates to the left, push the pan axis to the right. If the camera lens rotates to the right, push the pan axis to the left.
- The pan axis is balanced if the camera is steady when the pan axis is rotated by tilting the top handle. Tighten the knob ③.



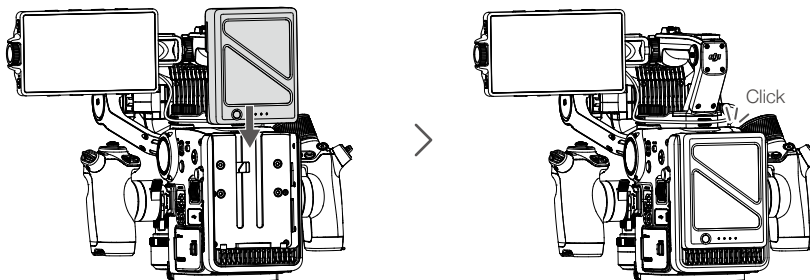
C. Attaching the Hand Grips

Make sure the lever is on the unlocked position at first. Insert the left hand grip into the mounting port on the main body ① until there is a clicking sound and push the lever all the way down ②. Attach the right hand grip in the same way.



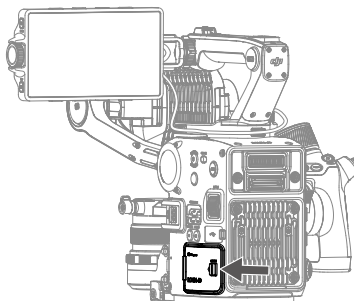
D. Attaching the Intelligent Battery

Align the Intelligent Battery with the battery compartment and push the battery down until there is a clicking sound.



E. Inserting the Storage Card

Open the card compartment cover and insert a CFexpress2.0 Type B card or mount a DJI PROSSD 1TB card.*

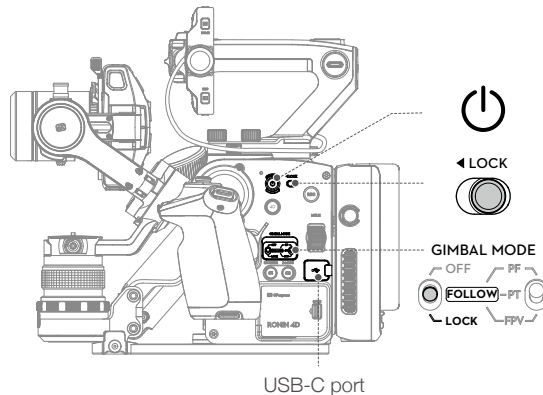


* The CFexpress2.0 Type B card is not included and must be purchased separately. Check the DJI PROSSD Mount User Guide and DJI PROSSD 1TB User Guide for more information about the DJI PROSSD 1TB card.

Activating DJI Ronin 4D

Ronin 4D needs to be activated through DJI Assistant 2 (Ronin Series) before using for the first time. Follow the steps below to activate Ronin 4D:

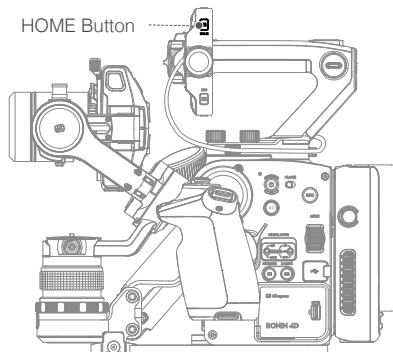
1. Before powering on Ronin 4D, make sure GIMBAL MODE is toggled to FOLLOW or LOCK, the LOCK switch is in the unlocked position, and the three axes of the gimbal are unlocked. Otherwise, Ronin 4D cannot work properly. Press and hold the power button for 1 second to power on Ronin 4D.
2. Use the provided USB-A to USB-C cable to connect the USB-C port on the main body with a computer. Launch DJI Assistant 2 (Ronin Series), select Ronin 4D, and follow the steps to activate.



USB-C port

Auto Tune

Make sure to auto-tune Ronin 4D before using to ensure optimal performance. Tap HOME on the high-bright main monitor and select Stabilizer, then Gimbal Calibration, and Auto Tune.



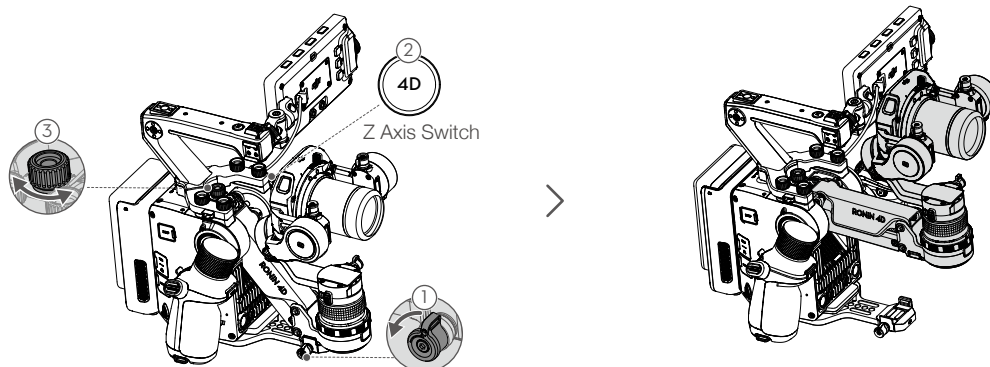
- Make sure DJI Ronin 4D is placed on a flat and steady surface before auto-tuning. It is normal for the gimbal to vibrate and make sounds during auto-tune.
- Ronin 4D must be auto-tuned every time the camera lens is changed.

Balancing the Z Axis

EN

Power on Ronin 4D and enable the Z axis before balancing the Z axis.

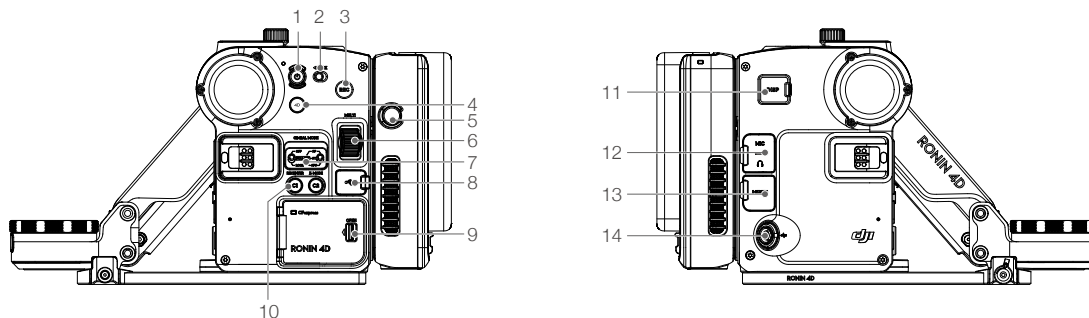
1. Loosen the Z axis lock ① and press the Z Axis switch ② to enable Z axis.
2. Follow the prompts on the high-bright main monitor to balance the Z axis by turning the adjustment knob ③. The Z axis is balanced if it remains horizontal.



Operation

Ronin 4D can be used once it has been activated, auto-tuned, and the Z axis has been balanced.

Main Body



1. Power Button

Press and hold for 1 second to power on. Press and hold for 3 seconds to power off.

2. Lock Button

Toggle the lock button to the left to disable Ronin 4D.

3. Record Button

Press once to start or stop recording.

4. Z Axis Switch

Press once to enable or disable the Z axis.

5. Battery Release Button

Press once and then remove the battery.

6. Dial

Turn to adjust focus.

7. Gimbal Mode

OFF: Sleep mode.

FOLLOW: Follow mode (PF means the pan axis will follow the handle movements. PT means the pan and tilt axes will follow the handle movements. FPV means the three axes all follow the handle movements).

LOCK: Lock mode (the gimbal will not follow the handle movements).

8. USB-C Port

Use to connect an external storage card or to connect to a computer to activate the device or update firmware.

9. Storage Card Compartment

Use to insert an CFexpress2.0 Type B card or DJI PROSSD 1TB card.

10. C1, C2 Buttons

Press the C1 button to recenter the gimbal. Press the C2 button to switch between follow and lock mode of the Z axis.

11. Display Port

Used to connect the high-bright main monitor.

12. Audio Port

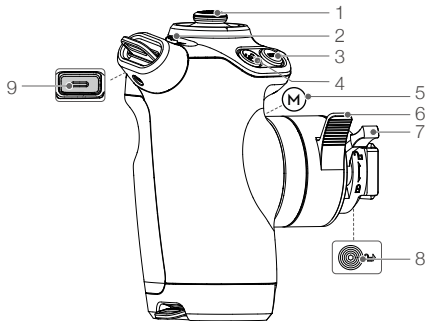
Includes a 3.5mm microphone port and a headphone port.

13. HDMI Port

Used for HDMI output.

14. DC-IN Port

Has an input voltage of 12-30 V.

Left Hand Grip**1. Joystick**

Move the joystick left and right to pan the gimbal and up and down to tilt the gimbal by default.

2. Joystick Lock

The gimbal will not respond to joystick operations when the joystick lock is in the locked position.

3. Exposure Assist Button

Press to enable or disable the exposure display.

4. ActiveTrack Button

Press and hold for 1 second to enter or exit ActiveTrack. Press to confirm the subject after entering ActiveTrack.

5. M Button

Press and hold to enter Sport mode. Release to exit Sport mode.

6. Hand Grip Angle Adjustment Lever

Press and hold the lever to adjust the angle of the handle grip. The hand grip will lock in place once the lever is released. Do not adjust the left and right hand grips simultaneously.

7. Hand Grip Lock Lever

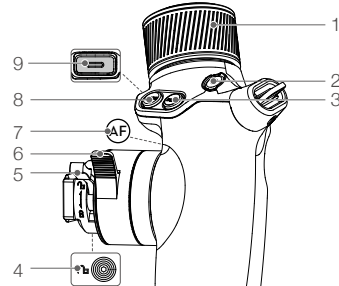
Used to lock the hand grip in place.

8. Safety Lock

Release the safety lock before detaching the hand grip.

9. Trigger

Press twice to center the subject in the center of the camera view after enabling ActiveTrack. Press twice to recenter the gimbal

Right Hand Grip**1. Dial**

Turn to adjust focus or aperture and to scroll through options on the high-bright main monitor.

2. Record Button

Press once to start or stop recording.

3. Focus Peak Button

Press once to enable or disable focus peak by default.

4. Safety Lock

Release the safety lock before detaching the hand grip.

5. Hand Grip Lock Lever

Used to lock the hand grip in place.

6. Hand Grip Angle Adjustment Lever

Press and hold the lever to adjust the angle of the hand grip. The hand grip will lock in place once the lever is released. Do not adjust the left and right hand grips simultaneously.

7. Focus Button

Press once to switch between manual focus and auto focus.

8. Mode Button

Press once to switch the function of the dial.

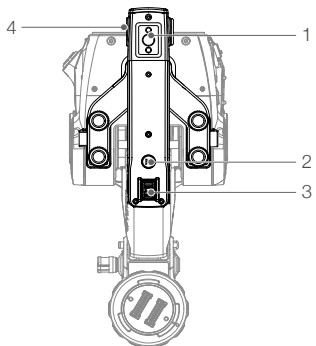
9. Trigger

Press twice to enable or disable the Z axis. Press and hold to enter lock mode when Z axis is enabled.

when not in ActiveTrack.

Press and hold to start ActiveTrack when in Smart mode with a selected subject. When not in Smart mode, press and hold to switch between Follow and Lock mode.

Top Handle



1. Top Screw Hole

3/8"-16 with a depth of 10 mm.

2. M Button

Press and hold to enter Sport mode. Release to exit from Sport mode.

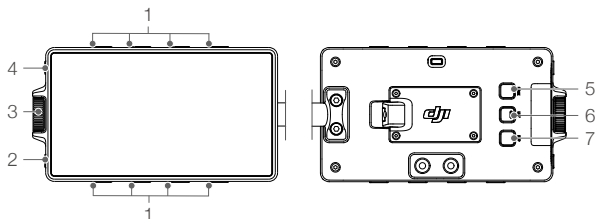
3. Tilt Slider

Used to control the tilt of the gimbal.

4. Side Screw Hole

1/4"-20 with a depth of 9 mm.

High-Bright Main Monitor



1. Parameter Buttons

Press to open the corresponding parameters on the monitor. Press again to confirm the selection. Some parameters have advanced settings that can be accessed by pressing and holding the corresponding parameter button.

2. Playback Button

Press once to enter or exit playback. Press and hold to enter or exit full screen display.

3. Dial

Turn the dial to scroll through the options and press to confirm the selection.

4. Home Button

Press to enter or exit from menu.

5. Focus Peak Button

Press once to enable or disable the focus assist display.

6. LUT Button

Press once to enable or disable the LUT display.

7. EXP Button

Press once to enable or disable the exposure display.



WE ARE HERE FOR YOU

在线技术支持



Contact DJI SUPPORT
via Facebook Messenger



微信扫一扫
获取技术支持

SUBSCRIBE FOR MORE INFO

关注 DJI 大疆创新及时获取最新资讯



RONIN is a trademark of DJI OSMO.
Copyright © 2021 DJI OSMO All Rights Reserved.

<https://pro.dji.com>



YCBZSS00169002